

 MOBILEKEY

Product catalogue







## Keyless locking provides greater convenience and security.

Locking and unlocking cars with electronic remote control keys has long been standard practice. With MobileKey from SimonsVoss, you can now apply this principle to doors.

Specifically designed for small and medium-sized companies, this innovation provides you with state-of-the-art locking technology. In MobileKey systems, a digital transponder, a PIN code keypad or your smartphone replace the traditional key.

MobileKey uses electronic door cylinders instead of mechanical ones that can be fitted easily with no cabling or drilling required. You configure the system easily yourself with the help of a free web app.

This well-designed, all-inclusive solution is suitable for up to 20 doors and 100 users, while still being affordable and inexpensive to run.

MobileKey is the latest product from SimonsVoss - a German company that is a world technology leader in electronic locking and access control systems.

---

**Digital transponders and door cylinders instead of mechanical keys and locks. The future of locking is coming to you.**

---

# With MobileKey, web-based access control is just a few clicks away.

### 01. Web app

MobileKey is set up and managed using an app. This app can be run on all internet-ready devices such as PCs, tablets, Macs and smartphones. With just a few clicks you can specify who has access to which areas and you can change authorisations as many times as you need.

### 02. SimonsVoss server

Web app data is transmitted to the SimonsVoss server, where it is applied as a locking plan and then sent back to the app. Everything is automatic.

### 03. Basic version

The config device allows you to transfer data to your transponders and locking components.

### 04. Optional: online extension

In the online version, your networked locking components connect directly with the server via a SmartBridge. This ensures system equipment and authorisation changes are implemented in real time. Full control anywhere at any time.

### 05. Remote control key as an ID medium

Unlock without the need for mechanical keys using a transponder, PinCode keypad or smartphone. Changing to digital locking could not be simpler.

### 06. Locking components

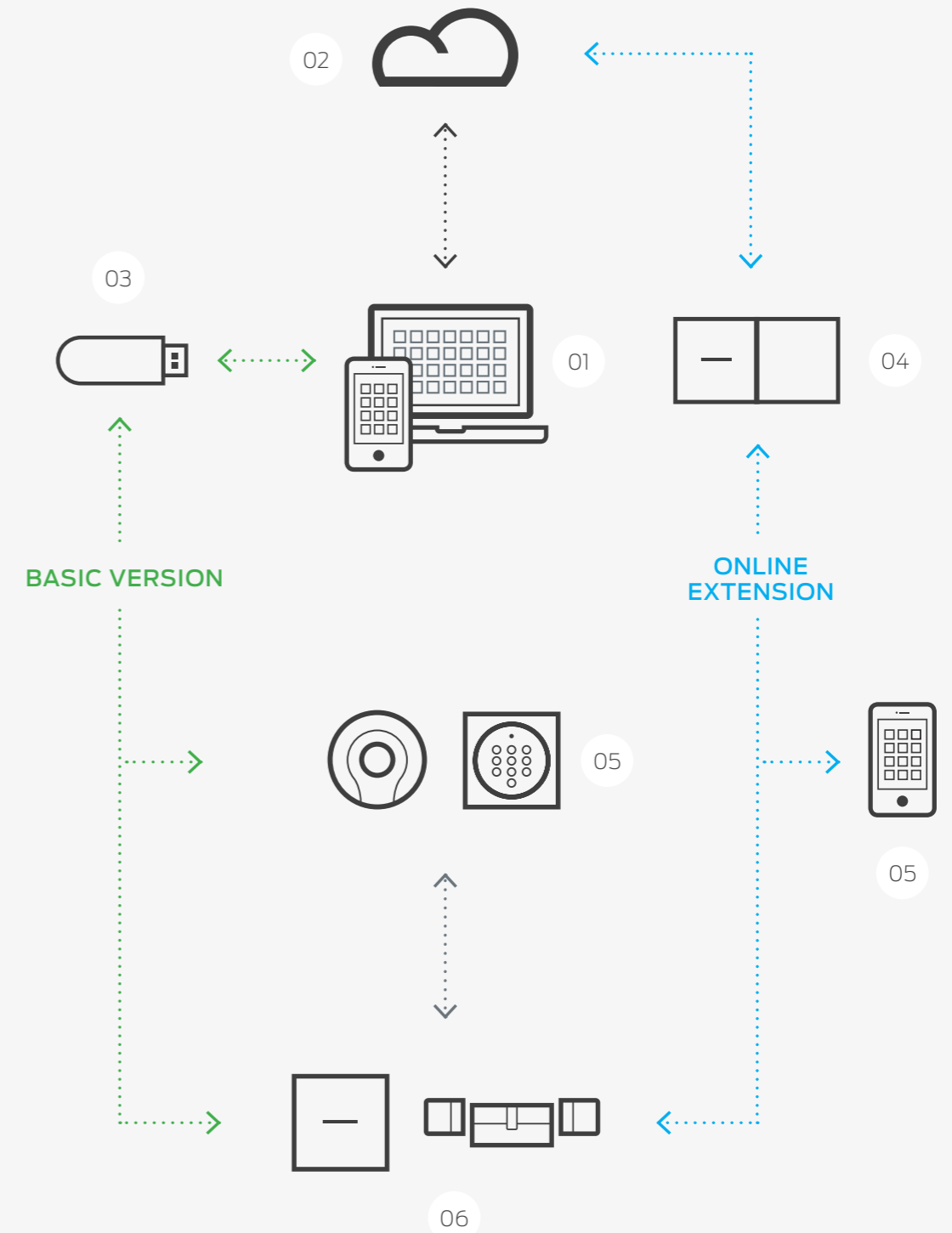
Press the button and your wireless key transmits individual stored authorisations to the digital cylinders or a specially designed relay. If the authorisation fits, the door or gate will then unlock.

### 07. Security takes top priority

Your data is stored on an audited SimonsVoss server in Munich, Germany. No need to worry about your data security management: we will take care of it for you - with the very highest level of security.

For more information, visit:

[www.allegion.com/uk/mobilekey](http://www.allegion.com/uk/mobilekey)



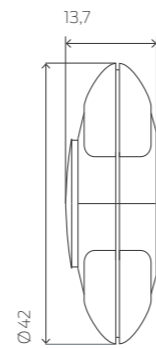


# MobileKey Transponders

The transponder serves as an electronic key in the MobileKey system.

Equipped with a high-performance battery, the transponder can activate up to 400,000 locking and unlocking procedures. The digital key contacts the electronic locking cylinder wirelessly and will only activate if the authorisation is valid.

If the transponder is misplaced, it can be disabled instantly and a new one can be configured as required at the click of the mouse.



Measurements indicated in mm

## Technical specifications

- ❖ Housing made of black polyamide
- ❖ Dimensions: 42 x 13.7 mm (Ø x H)
- ❖ Protection rating: IP 65
- ❖ Typical read range: up to 40 cm to the locking cylinder
- ❖ Battery type: 1 x CR2032, 3 V, lithium
- ❖ Battery life:
  - up to 400,000 activations or up to ten years on stand-by
- ❖ Temperature range: -25 °C to +65 °C
- ❖ Environmental class: III
- ❖ You can manage up to 20 locking cylinders and up to 100 transponders in MobileKey System.
- ❖ Physical access list with up to 1,000 storable access events

## Description

Transponder MobileKey with blue button

Switching transponder with 2 connection wires to activate it via an isolated contact

## Order code

SV.MK.TRA2.G2

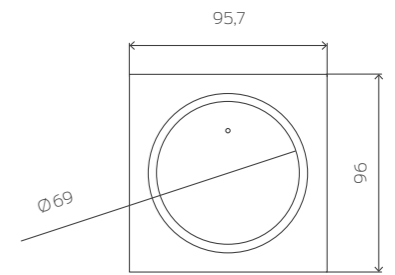
SV.TRA2.G2.SCHALT

# MobileKey PinCode keypad

Open your doors with a 4 to 8 digit code.

You can fit the ultra-slim PinCode keypad indoors or outdoors without any cabling and even mount it onto glass surfaces.

A great example of using the keypad would be for events such as seminars and meetings, by issuing a special code for the entrance door.



Measurements indicated in mm

## Technical specifications

- ❖ Silver-coloured ABS plastic housing
- ❖ Dimensions: 96 x 95.7 x 14 mm (H x W x D)
- ❖ Weight: about 100 g including batteries
- ❖ Protection rating: IP 65
- ❖ Typical read range: up to 40 cm to the locking cylinder/SmartHandle; up to 120 cm to SmartRelay
- ❖ Battery type: 2 x CR2032, 3 V, lithium

- ❖ Battery life: up to 100,000 activations or up to ten years on stand-by
- ❖ 2-level battery warning system
- ❖ Temperature range: -25 °C to +65 °C
- ❖ Manipulation alarm
- ❖ Number of keypad users: 3 different PINs
- ❖ Cable-free surface mount

## Description

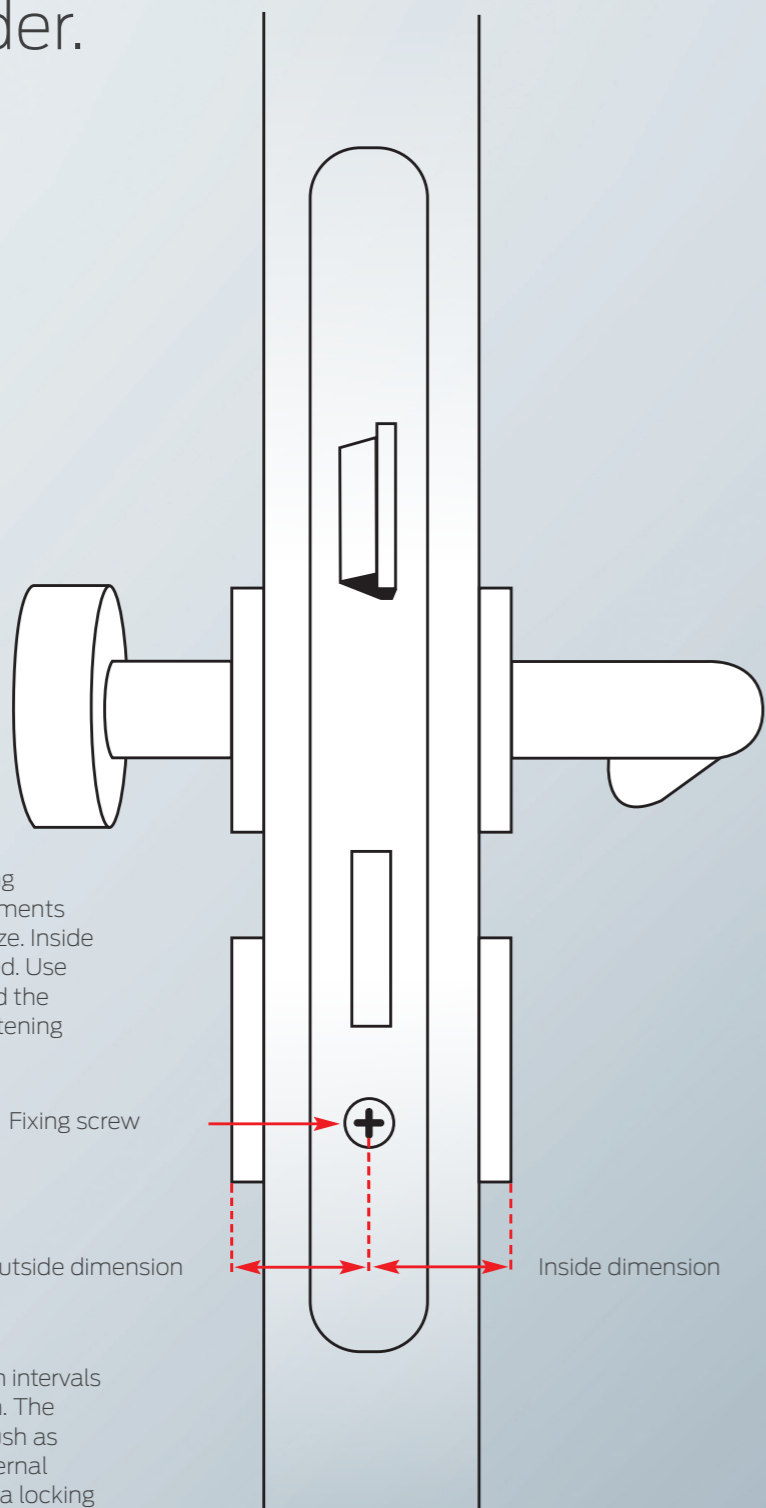
PinCode keypad MobileKey

## Order code

SV.MK.TRA.PINCODE



Measure, then select the right locking cylinder.



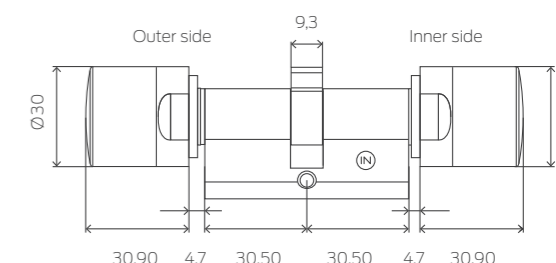
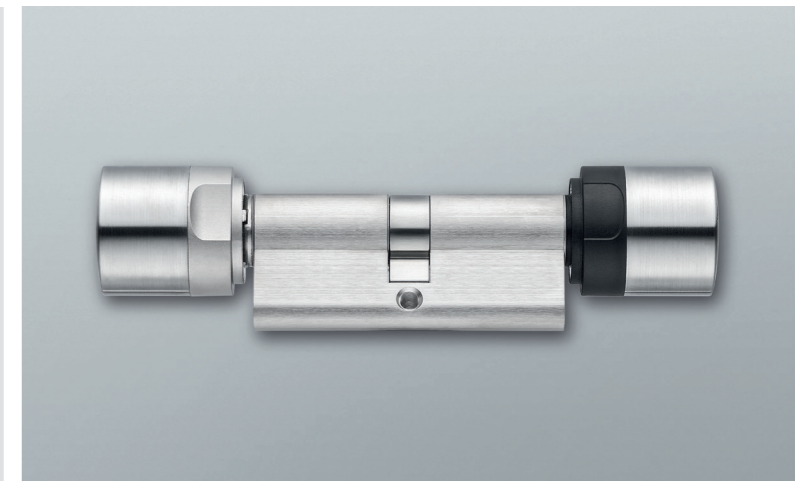
Before ordering an electronic locking cylinder, you need to take measurements to establish the required cylinder size. Inside and outside dimensions are required. Use a rule or measuring template to find the distance from the centre of the fastening screw to the end of the inlay.

The cylinders are available in length intervals of 5 mm, for example, 35 or 40 mm. The cylinder housing should close as flush as possible. e.g. if you measure an external length of 38 mm, you should order a locking cylinder with an outside length of 40 mm.

If the external dimension is 40 mm and the inside dimension 35 mm, these measurements become part of the order code: SV.MK.Z4.40-35.FD.FH.ZK.G2.

## MobileKey Digital Euro Profile Double Thumb-turn Cylinder

Fast, cable-free installation with no drilling and a beautifully shaped design; the digital locking cylinder can perform up to 300,000 locking operations thanks to an integrated battery.



Measurements indicated in mm

### Technical specifications

- ❖ Standard Euro Profile cylinder as per DIN 18252 / EN 1303 / DIN EN 15684, stainless steel design, freely rotating on both sides
- ❖ Thumb-turn diameter: 30 mm
- ❖ Basis installation length: 30 – 30 mm (outer/inside dimension)
- ❖ Overall length: up to max. 140 mm (max. 90 mm on one side)
- ❖ Protection rating: IP 54; weatherproof version: IP 66
- ❖ Battery type: 2 x lithium, CR2450, 3 V
- ❖ Battery life: up to 300,000 locking operations or up to ten years on standby
- ❖ Temperature range: Operational: -25 °C to +65 °C  
In storage: -35 °C to +50 °C
- ❖ 500 access events can be logged

### Product versions

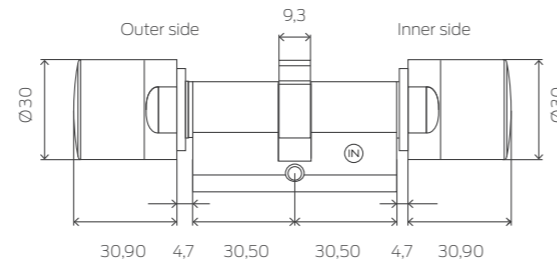
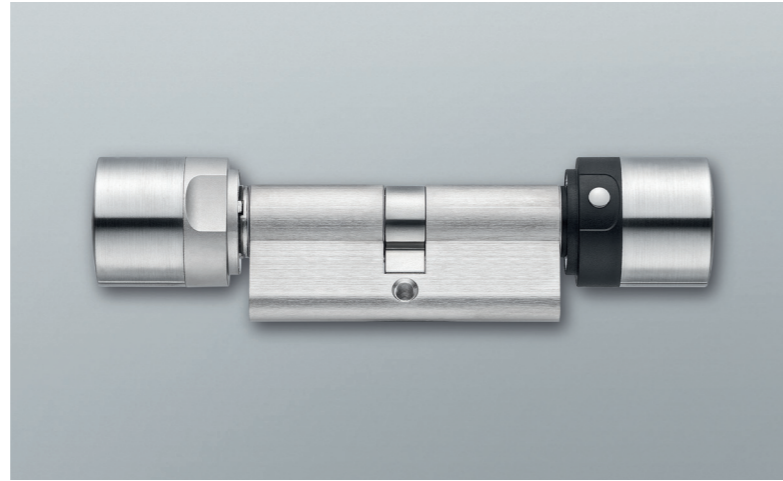
### Order code

Digital Euro Profile Double Thumb-turn Cylinder MobileKey – FD freely rotating on both sides: with access control, time zone control and logging, stainless steel design Version with integrated LockNode for networking	SV.MK.Z4.ee-ii.FD.FH.ZK.G2
Multi-point version for use in doors with multi-point locks, installation lengths 35 – 30 mm and above Version integrated LockNode for networking	SV.MK.Z4.ee-ii.FD.MR.FH.ZK.G2 SV.MK.Z4.ee-ii.FD.MR.FH.LN.ZK.G2
Weatherproof version; protection rating: IP 66; installation lengths 30 – 35 mm and above, Version with integrated LockNode for networking	SV.MK.Z4.ee-ii.FD.WP.FH.ZK.G2 SV.MK.Z4.ee-ii.FD.WP.FH.LN.ZK.G2
Digital Euro Profile Double Thumb-turn Cylinder MobileKey – DoorMonitoring compact door monitoring, installation lengths 30-35 mm and above, freely rotating on both sides, LockNode integrated for networking, with access control, time zone control and event logging	SV.MK.Z4.ee-ii.DM.FD.FH.ZK.G2
Intelligent fastening screw with sensors for use with the DoorMonitoring cylinder. You need to know the backset to order the fastening screw. Available in 5 mm increments, from 25 mm to max. 70 mm.	SV.Z4.DM.xx.SCREW

# MobileKey – Button control

## Digital Euro Profile Double Thumb-turn Cylinder

The same as the standard cylinder but with added button control, this allows the inner side to be opened without a transponder.



Measurements indicated in mm

### Technical specifications

- Standard Euro Profile cylinder as per DIN 18252 / EN 1303 / DIN EN 15684
- Thumb-turn diameter: 30 mm
- Basic installation length: 30 – 30 mm (outer/inside dimension)
- Overall length: up to max. 140 mm (max. 90 mm on one side)
- Protection rating: IP 54
- Battery type: 2 x lithium, CR2450, 3 V
- Battery life: up to 300,000 locking operations or up to ten years on standby
- Temperature range: Operational: -25 °C to +65 °C  
In storage: -35 °C to +50 °C
- 500 access events can be logged

### Product versions

Digital Euro Profile Double Thumb-turn Cylinder MobileKey – Button control freely rotating on both sides, can be operated from inside without transponder, stainless steel design  
Version with integrated LockNode for networking

Multi-point version for use in doors with multi-point locks, installation lengths 35 – 30 mm and above  
Version with integrated LockNode for networking

Digital Euro Profile Double Thumb-turn Cylinder MobileKey – DoorMonitoring compact door monitoring, with button control; installation lengths 30 – 35 mm and above, freely rotating on both sides, integrated LockNode for networking, with access control, time zone control and logging

Intelligent fastening screw with sensors for use with the DoorMonitoring cylinder. You need to know the backset to order the fastening screw. It can be ordered in 5 mm increments between 25 mm and 70 mm.

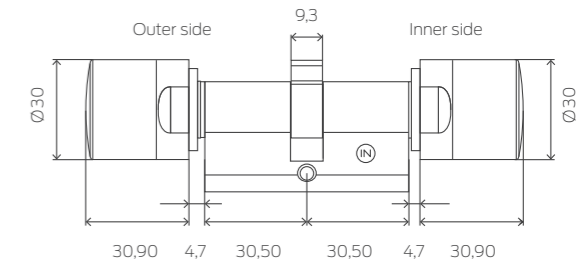
### Order code

- SV.MK.Z4.ee-ii.FD.TS.FH.ZK.G2
- SV.MK.Z4.ee-ii.FD.TS.FH.LN.ZK.G2
- SV.MK.Z4.ee-ii.FD.TS.MR.FH.ZK.G2
- SV.MK.Z4.ee-ii.FD.TS.MR.FH.LN.ZK.G2
- SV.MK.Z4.ee-ii.DM.FD.TS.FH.ZK.G2
- SV.Z4.DM.xx.SCREW

# MobileKey – Comfort

## Digital Euro Profile Double Thumb-turn Cylinder

Cylinder in Comfort Version.



Measurements indicated in mm

### Technical specifications

- Standard Euro Profile cylinder as per DIN 18252 / EN 1303 / DIN EN 15684
- Thumb-turn diameter: 30 mm
- Basic installation length: 30 – 30 mm (outer/inside dimension)
- Overall length: up to max. 140 mm (max. 90 mm on one side)
- Protection rating: IP 54
- Battery type: 2 x lithium, CR2450, 3 V
- Battery life: up to 300,000 locking operations or up to ten years on standby
- Temperature range: Operational: -25 °C to +65 °C  
In storage: -35 °C to +50 °C
- 500 access events can be logged

### Product versions

Digital Euro Profile Double Thumb-turn Cylinder MobileKey – Comfort non-electronics side is permanently engaged, so can be opened from the inside without transponder, stainless steel design  
Version with integrated LockNode for networking

Weatherproof version, protection rating: IP 66,; installation length 35 – 30 mm and above  
Version with integrated LockNode for networking

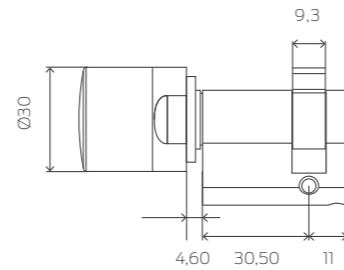
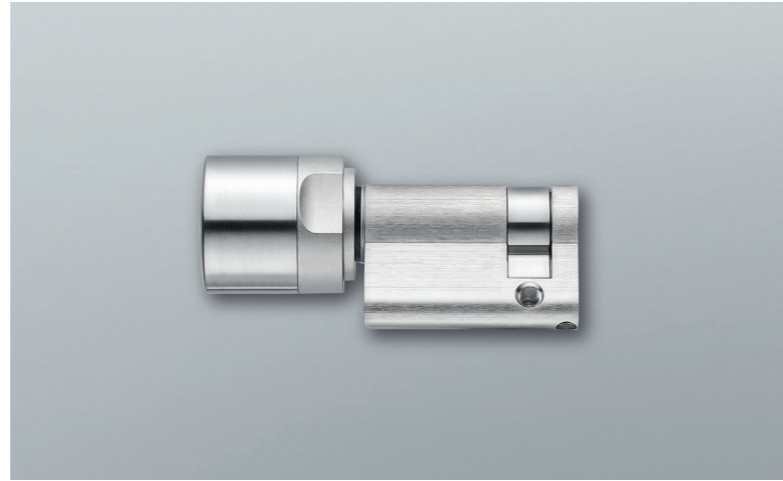
### Order code

- SV.MK.Z4.ee-ii.CO.ZK.G2
- SV.MK.Z4.ee-ii.CO.LN.ZK.G2
- SV.MK.Z4.ee-ii.CO.WP.ZK.G2
- SV.MK.Z4.ee-ii.CO.WP.LN.ZK.G2



# MobileKey Digital Euro Profile Half Cylinder

You can purchase the digital locking cylinder in a wide variety of versions, including a half cylinder. It offers you a solution for all outdoor areas, such as in garage doors or key switches.



Measurements indicated in mm

## Technical specifications

- ⌘ Standard Euro Profile cylinder as per DIN 18252 / EN 1303 / DIN EN 15684
- ⌘ Thumb-turn diameter: 30 mm
- ⌘ Basic installation length: 30 – 10 mm (outer/inside dimension)
- ⌘ Overall length: up to max. 140 mm (max. 90 mm on one side)
- ⌘ Protection rating: IP 66

- ⌘ Battery type: 2 x lithium, CR2450, 3 V
- ⌘ Battery life: up to 300,000 locking operations or up to ten years on standby
- ⌘ Temperature range: Operational: -25 °C to +65 °C  
In storage: -35 °C to +50 °C
- ⌘ 500 access events can be logged

## Product versions

Digital Euro Profile half cylinder MobileKey, weatherproof version, protection rating: IP 66 (Thumb-turn), Thumb-turn cannot be detached, stainless steel design  
Version with integrated LockNode for networking

## Order code

SV.MK.Z4.ee-10.HZ.WP.ZK.G2

SV.MK.Z4.ee-10.HZ.WP.LN.ZK.G2

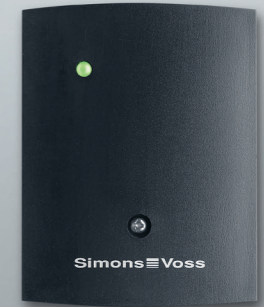
Multi-point design, detachable Thumb-turn, weatherproof version, Protection rating: IP 66 (Thumb-turn)  
Version with integrated LockNode for networking

SV.MK.Z4.ee-10.HZ.MR.WP.ZK.G2

SV.MK.Z4.ee-10.HZ.MR.WP.LN.ZK.G2

# MobileKey Digital SmartRelay

The Digital SmartRelay acts as an access control reader or key switch. In the MobileKey system, it opens electrically opened doors, gates and barriers and switches lighting, heating and machines.



## Technical specifications

- ⌘ Housing made of white polyamide 6.6  
Dimensions: 78 x 78 x 19 mm (HxWxD)
- ⌘ Housing made of black plastic (polyamide 6.6)  
Dimensions: 55.4 x 71.8 x 25.1 mm (HxWxD)
- ⌘ Protection rating: IP 20, not suitable for unprotected use outdoors
- ⌘ Typical read range: up to 120 cm
- ⌘ Temperature range: Operational: -22 °C to +55 °C
- ⌘ Air humidity: < 95 % without condensation
- ⌘ Circuit board dimensions: 50 x 50 x 14 mm (HxWxD)
- ⌘ Mains voltage: 12 V AC (for SREL only) or 5-24 V DC (no reverse polarity protection)
- ⌘ Power limitation: mains adapter must be limited to 15 VA
- ⌘ Standby current: < 5 mA
- ⌘ Max. current: < 100 mA
- ⌘ Pulse duration can be programmed between 0.1 and 25.5 sec.

## Product versions

Digital SmartRelay MobileKey in white design housing for surface mount, with access control, time zone management and events logging, no connection for external antenna.  
Version with integrated LockNode suitable for networking

Digital SmartRelay MobileKey in black housing also suitable for flush-fit, with access control, time zone control and event logging, connection possible for external antenna.

## Technical specifications for output relay

- ⌘ Type: changeover contact; in SREL2: NO contact
- ⌘ Continuous current: max. 1.0 A
- ⌘ Switch-on current: max. 2.0 A
- ⌘ Switching voltage: max. 24 V
- ⌘ Switching power: 10<sup>6</sup> activations at 24 VA
- ⌘ Multi-function connections F1, F2, F3: max. 24 V DC, max. 50 mA
- ⌘ Vibrations: 15 G for 11 ms, 6 shocks in accordance with IEC 68-2-27; not approved for use when subject to permanent vibrations

## Order code

SV.MK.SREL2.ZK.G2.W

SV.MK.SREL2.LN.ZK.G2.W

SV.MK.SREL.ZK.G2

# MobileKey USB programming device

A small, compact USB programming device allows operators of small lock systems to maintain absolute control over access.

The device enables them to create a locking system, programme components and manage access authorisations.

The USB device is provided together with an easy-to-use MobileKey web application.



## Technical specifications

- ⌘ Programming: SimonsVoss 25 kHz technology
- ⌘ Operating system: Windows 7 and higher
- ⌘ USB port: USB type A (same as a flash memory)/ USB 2.0
- ⌘ Power supply: USB connector

- ⌘ Dimensions: 57 (70) x 19 x 13 mm (LxWxH)
- ⌘ Programming distance: 10 – 30 cm
- ⌘ Protection rating: IP 40
- ⌘ Temperature range: -10 °C to +60 °C
- ⌘ Humidity: 95% (non-condensing)

## Product versions

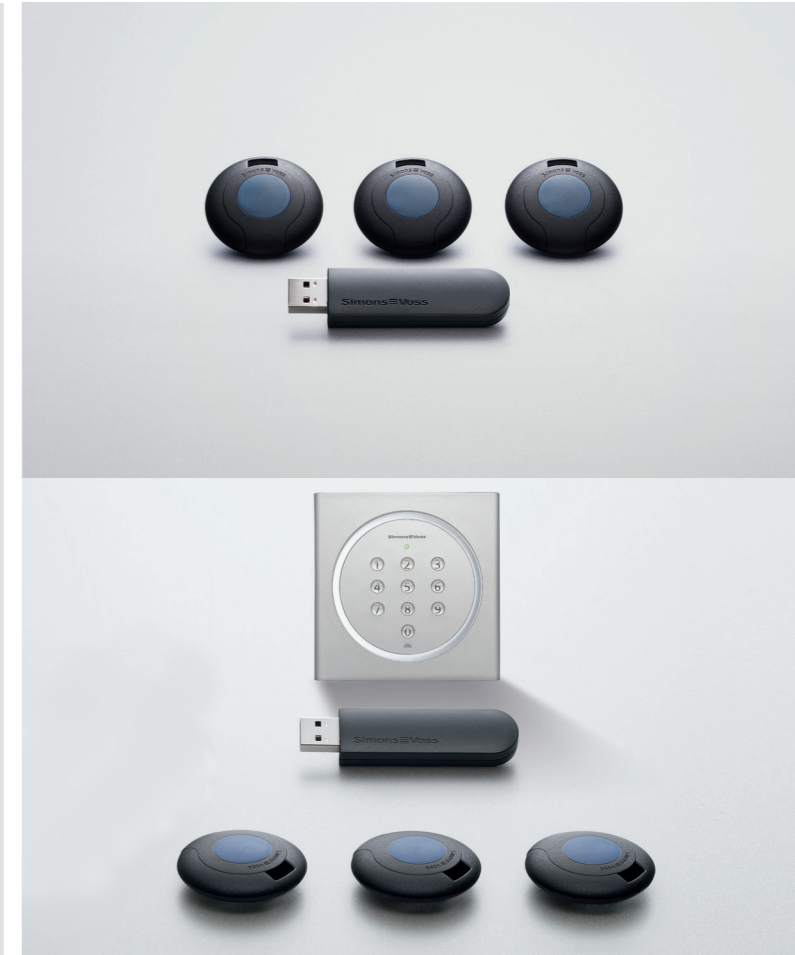
USB programming device to programme MobileKey products. Connection to a PC via USB port in conjunction with MobileKey web application

## Order code

SV.MK.CD.STARTER.G2

# Complete MobileKey Range Kits

MobileKey components in affordable starter kits for new users are also available.



## MobileKey Starter Set 1

Consisting of 3 transponders (SV.MK.TRA2.G2) and 1 USB config device (SV.MK.CD.STARTER.G2)

## Order code

SV.MK.SET1

## MobileKey Starter Set 2

Consisting of 3 transponders (SV.MK.TRA2.G2), 1 PinCode keypad\* (SV.MK.TRA.PINCODE) and 1 USB config device (SV.MK.CD.STARTER.G2)

## Order code

SV.MK.SET2



# MobileKey Online Extension

In the online version, your digital locking cylinder is directly connected to our servers via a SmartBridge.

This allows you to install system equipment and make changes to authorisations in near real time.

Full control anywhere at any time.



## Technical specifications

- ⌘ Housing made of ABS plastic, UV-stable; colour: 9/118645, same as RAL 9016 (Traffic white)
- ⌘ Dimensions: 172 x 86 x 33 mm (LxWxH)
- ⌘ Radio frequency: 868.xx – 870 MHz
- ⌘ Output: max. 3 VA
- ⌘ Radio module transmission power: 10 dBm (6.3 mW) to the antenna socket
- ⌘ External power supply: regulated mains adapter 9-24 V DC: SV.MK.SMARTBRIDGE.ER also PoE-capable (802.3af)

## Product versions

MobileKey SmartBridge to network MobileKey locking devices with the SimonsVoss server. Ethernet design to connect with a network node

MobileKey SmartBridge to network MobileKey locking devices WR with the SimonsVoss server. WLAN design to connect with a network node

## Order code

SV.MK.SMARTBRIDGE.ER

SV.MK.SMARTBRIDGE.





# MobileKey Accessories

Description	Order code
Intelligent fixing screw with sensors for use with the DoorMonitoring cylinder. IMPORTANT: you need to know the backset to order the intelligent fastening screw. Available in 5 mm increments, from 25 mm to max. 70 mm.	SV.Z4.DM.xx.SCREW
Special mounting screwdriver for DoorMonitoring	SV.Z4.DM.SCREWDRIVER
Installation/battery key: Special tool for disassembly and battery replacement (button cells) in TN4 cylinders (double knob cylinders and half cylinders)	SV.Z4.SCHLUESSEL
Core protection adapter for all freely-rotating TN4 double knob cylinders; 8 mm extension	SV.Z4.KA
5 batteries for MobileKey transponder (type: CR2032)	SV.TRA.BAT
10 batteries for MobileKey cylinders (double knob and half cylinders) (type: CR2450)	SV.Z4.BAT.SET
Battery for SmartRelay in black housing (SV.MK.SREL.ZK.G2), for operating without external power supply (e.g. as door strike), Battery type: lithium 1/2 AA	SV.SREL.BAT
External antenna for connecting Smart Relay; cable 5 m long	SV.SREL.AV
External plug-in power supply for SmartBridge	SV.POWER.SUPPLY.2
MobileKey Network Knob Cover as a replacement part for networking cylinders directly	SV.MK.LN.I
MobileKey network circuit board as a replacement part for networking SmartRelay directly	SV.MK.LN.I.SREL2.G2
Empty sample box (aluminium box 327 x 200 x 54) for 1 cylinder in installation length 35 – 35 mm, 2 transponders, 1 PinCode keypad, 1 USB config device	SV.MK.KOFFER.SMALL.U

A bespoke locking system in just a few steps.



#### 01. Establish which components are required

First, define your group of users to help you establish the number of IDs required. Then, specify how many doors you wish to fit with locking components. Next, indicate the locking cylinder lengths and functions.

#### 02. Create the locking plan on my-mobilekey.com

Register on my-mobilekey.com to activate your user account. You will then have access to the locking plan on all your internet-ready devices. Now use the set-up agent to create the locking plan and enter component identifiers and characteristics. You can add more keys and locks whenever you like.

#### 03. Programme the components

You can start programming as soon as the individual components have been added and the access rights for the locking components have been issued. You can use the configuration device to complete the programming tasks directly in the browser of any Windows computer.

#### 04. Fit the components

Once the programming process is complete, you can fit the locking cylinders and SmartRelays to activate barriers, garage doors and other installations.

#### 05. A short function test and you are finished!

After a short function test using a transponder, the electronic lock system is ready for operation. You can change authorisations and extend your system from this point whenever you like.



Allegion (UK) Limited

For up-to-date address and telephone number,  
please visit the Allegion UK website

Email: [contactuk@allegion.com](mailto:contactuk@allegion.com)

Web: [www.allegion.com/uk](http://www.allegion.com/uk)

**Simons  Voss**  
technologies

© Copyright 2016, SimonsVoss Technologies GmbH, Unterföhring, Germany  
All rights are reserved. Text, images and diagrams are protected under copyright law. The contents of this brochure must not be copied, distributed or modified. You can find authoritative, detailed technical information in the system manual. Subject to technical changes. SimonsVoss and MobileKey are registered brands belonging SimonsVoss Technologies GmbH.

### About Allegion™

Allegion (NYSE: ALLE) is a global pioneer in safety and security, with leading brands like CISA®, Interflex®, LCN®, Schlage® and Von Duprin®. Focusing on security around the door and adjacent areas, Allegion produces a range of solutions for homes, businesses, schools and other institutions. Allegion is a \$2 billion company, with products sold in almost 130 countries.

For more, visit [allegion.com/uk](http://allegion.com/uk)



**ALLEGION™**